

# Kalmar FastCharge™ AGV. Data sheet.



# Technical data

## Main features

- LoLo AGV with lithium-ion battery
- For 20, 40 and 45ft containers
- Non-slip access points



## With proven Kalmar automation

- Kalmar accurate and safe on-board navigation system
- Kalmar TLS
- Kalmar Key



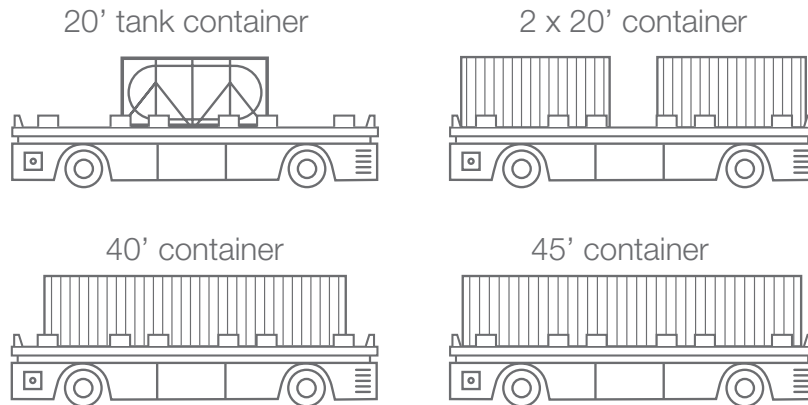
## Kalmar FastCharge™.

Kalmar FastCharge eliminates the need for battery swapping as your AGVs will be able to be opportunity charged at strategically placed charging stations while they are in operation. Charging can be done in minutes, which means your AGVs will spend more time moving containers and less time idle.

## Dimensions / physical characteristics

Length	Width	Height	Weight
15m	3m	2m	25t

## Transportable container types



MAX. PAYLOAD 70t

## Operational characteristics

Acceleration (max payload)	Acceleration (unladen)	Max speed (straight)	Max speed (curve)	Max speed (crab)
0,4m/s <sup>2</sup>	1,5m/s <sup>2</sup>	7m/s	2,5m/s	2m/s

## Maneuverability & positioning

Position accuracy	Docking accuracy	Min inner turn radius	Min outer turn radius
±25mm	±50mm @ 0,1m/s	5,8m	11,35m

## Power unit & energy storage

Power unit type	Battery capacity	Max. output power	Max. charging time & power
Battery powered (Li-On)	36 or 72kWh	280kW	5min @ 600kW 10min @ 300kW



# KALMAR

Making your every move count

Published by Kalmar, part of Cargotec. Copyright © Cargotec 2018. All rights reserved. No part of this publication may be copied or reproduced without permission of the copyright owner. The content of this document is provided "as is", without warranties of any kind with regards to its accuracy or reliability and excluding all implied warranties. We reserve the rights to make changes to any of the items described in this document without prior notice. The content of each service and availability of particular services may vary.

[www.kalmarglobal.com](http://www.kalmarglobal.com)